



More Precision

induSENSOR // Linear inductive displacement sensors





The LVP-3 and LVP-14 sensors are modified LVP models designed for specific application areas and operated with external controllers.

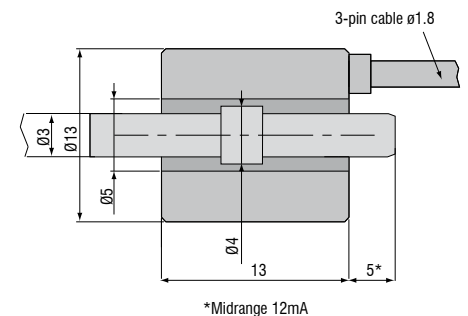
Sensor for needle stroke movements

The compact LVP-3-Z13-5-CA displacement sensor is suitable for acquiring small measuring ranges with high accuracy. The large free hole for the passage of the core also facilitates large excessive strokes. The measurement object, realized as a simple aluminum ring, is mounted on the rod, plunger, pin, needle or other similar part to be measured. In a typical application the displacement sensor LVP-3-Z13-5-CA is used in automatic glue application guns. The continuously measuring sensor monitors the switching point, also for wear of the needle seating. Additionally, the continuous measurement offers the option of checking the needle for the correct stroke position. The small, compact sensor is easy to integrate even in tight installation spaces.



Model	LVP-3-Z13-CA
Article no.	2617014
Measuring range	3 mm
Target (included)	ø3 x 30 long with M3 thread and aluminum ring ø4 x 3.3
Linearity	typical 0.3 % FSO (9 µm)
Sensor housing	stainless steel
Temperature stability (sensor)	± 100 ppm / °C
Temperature range (sensor)	-40 °C... +150 °C
Protection class (sensor)	IP67
Controller	MSC7210

FSO = Full Scale Output



Valve stroke sensor in stainless steel housing

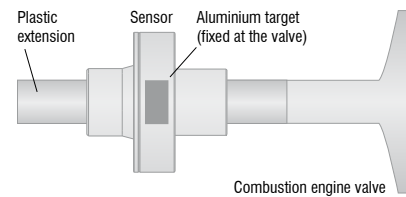
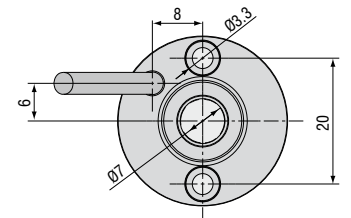
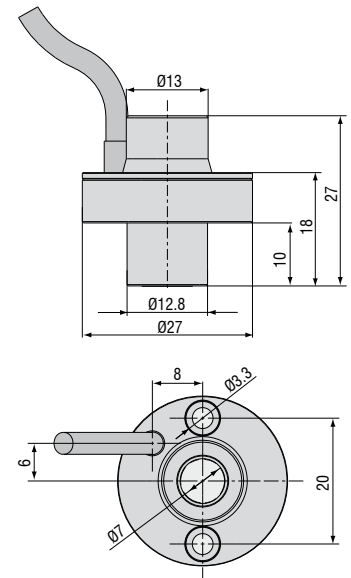
Future generations of engines will be able to dispense with mechanical camshafts. The displacement of the electromechanically or electro-hydraulically driven inlet and outlet valves of internal combustion engines is acquired by the displacement sensor of the product line LVP-14-F-5-CR and fed into the control circuit. In this way a variable inlet and outlet control of the valves can be realized. Ultimately, the fuel consumption is reduced, emission values are improved and the engine power characteristic is matched to the individual driving situation.



Model	LVP-14-F-5-CR
Article no.	2616078
Measuring range	14 mm
Target (optional)	Art. no. 0482273
Linearity	0.5 % FSO (0.07 mm)
Sensor housing	stainless steel
Temperature stability (sensor)	± 100 ppm / °C
Temperature range (sensor)	-30 ... +150 °C
Protection class (sensor)	IP67

Controller	MSC739VS-U
Article no.	4111009
Power supply	+10 ... 16 VDC
Output signal	1 ... 9 VDC
Resolution	0.02 % FSO
Frequency response	20 kHz (-3dB)
Dimensions	150 x 64 x 54mm

FSO = Full Scale Output



General accessories

2960031	MC25D	Digital micrometer calibration fixture
2420062	PS2020	Power supply on DIN rail, input 100 - 240 VAC, output 24 VDC / 2.5 A
2984026		Function and linearity inspection certificate incl. protocol with listed measurement data of the linearity inspection and documentation
2213034		IF7001 single-channel USB/RS485 converter

Accessories for LDR series**Connection cables**

0157047	C7210-5/3	Sensor cable, 5 m, with cable connector
0157048	C7210/90-5/3	Sensor cable, 5 m, with 90° cable connector

Supply cable

2901087	PC710-6/4	Supply/output cable, 6 m
---------	-----------	--------------------------

Spare plungers

0800136	LDR-10	Spare plunger
0800137	LDR-25	Spare plunger
0800138	LDR-50	Spare plunger

Service

Connector installation and adjustment

Accessories for EDS series**Service**

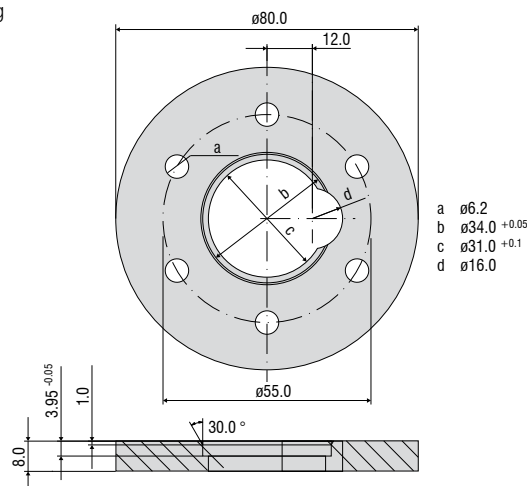
2985001		Function and linearity inspection for EDS series incl. pressure inspection and documentation without recalibration
---------	--	---

Connection cables

0157043	C703-5	VIP/LVP/EDS 7-pin connection cable for S series, 5 m
2902084	C703-5/U	VIP/LVP/EDS 7-pin connection cable for S series, 5 m for voltage output 1 - 5 V
0157050	C703/90-5	VIP/LVP/EDS 7-pin connection cable for S series, 5 m with 90° cable connector
2901143	C705-5	VIP/LVP/EDS 5-pin connection cable for F series, 5 m
2901160	C705-15	VIP/LVP/EDS 5-pin connection cable for F series, 15 m

Installation ring

0483326		EDS mounting ring
---------	--	-------------------



Linearity inspection certificate

High performance sensors made by Micro-Epsilon



Sensors and systems for displacement and position



Sensors and measurement devices for non-contact temperature measurement



2D/3D profile sensors (laser scanner)



Optical micrometers, fiber optic sensors and fiber optics



Color recognition sensors, LED analyzers and color inline spectrometer



Measurement and inspection systems