



More Precision

thermoMETER // Non-contact infrared temperature sensors





thermoMETER CT

Non-contact IR temperature sensor for common applications

- Measuring range from -50°C to 975°C
- One of the smallest 22:1 infrared sensors worldwide
- Up to 180°C ambient temperature without cooling
- Separate controller with programming keys and backlit display
- Selectable and scalable analog output, optional digital interfaces
- Exchangeable sensors
- Best price sensor

Optical specifications thermoMETER CT

□ = smallest spot size / focal point (mm)

Standard Focus

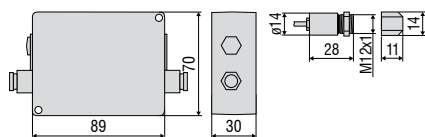
SF02	2:1	5	53.8	102.5	151.3	200	251.3	302.5	353.8	405						
	distance in mm	0	100	200	300	400	500	600	700	800						
SF15	15:1	6.5	10.3	14.1	17.9	21.7	25.4	30.9	37.1	43.3	49.5	55.8	62	68.2	74.4	80.7
	distance in mm	0	75	150	225	300	375	450	525	600	675	750	825	900	975	1050
SF22	22:1	6.5	10.9	15.2	19.5	23.9	28.3	32.6	37	41.3	45.7	50				
	distance in mm	0	110	220	330	440	550	660	770	880	990	1100				

Close Focus (with optionally available CF lens)

CF02	2:1	5	3.9	2.8	2.5	4.8	6.4	8	11.3	14.6						
	distance in mm	0	10	20	23	30	35	40	50	60						
CF15	15:1	6.5	3.7	0.8	4.4	8.1	11.8	15.4	19.1	22.7						
CF22	22:1	7	3.8	0.6	4.4	8.2	12	15.8	19.6	23.4						
	distance in mm	0	5	10	15	20	25	30	35	40						

Model	CT-SF02-C3	CT-SF15-C3	CT-SF22-C3
Optical resolution	2:1	15:1	22:1
Temperature range ¹	-50°C to 600°C	-50°C to 600°C	-50°C to 975°C
Spectral range		8 to 14μm	
System accuracy ²		±1% or ±1°C	
Repeatability ²		±0.5% or ±0.5°C	
Temperature resolution		0.1°C	
Response time		150ms (95%)	
Emissivity/gain ¹		0.100 to 1.100	
Transmissivity/gain ¹		0.100 to 1.100	
Signal processing ¹	peak hold, valley hold, average; extended hold function with threshold and hysteresis		
Certificate of calibration	optional		
Outputs/analog	channel 1	0/4 to 20mA, 0 to 5/10V, thermocouple J, K	
	channel 2	sensor temperature (-20 to 180°C as 0 to 5V or 0 to 10V), alarm output	
Outputs/analog	optional	relays: 2 x 60VDC/42 VAC; 0.4A; electrically isolated	
Outputs/digital	optional	USB, RS232, RS485, CAN, Profibus DP, Ethernet	
Output impedances	current output	mA max. 500Ω (with 8 to 36VDC)	
	voltage output	min. 100kΩ load impedance, thermocouple 20Ω	
Inputs	programmable functional inputs for external emissivity adjustment ambient temperature compensation, trigger (reset of hold functions)		
Cable length	1m, 3m (standard), 8m, 15m		
Power supply	8 to 36VDC; max. 100mA		
Protection class	IP65 (NEMA-4)		
Ambient temperature	sensor	-20°C to 130°C	-20°C to 180°C
	controller	0°C to 85°C	
Storage temperature	sensor	-40°C to 130°C	-40°C to 180°C
	controller	-40°C to 85°C	
Relative humidity	10 to 95%, non-condensing		
Vibration	sensor	IEC 68-2-6: 3 G, 11 to 200Hz, any axis	
Shock	sensor	IEC 68-2-27: 50 G, 11ms, any axis	
Weight	sensor: 40g; controller: 420g		

¹ adjustable via programming keys or software
² ambient temperature 23±5°C; whichever is greater



Product identification

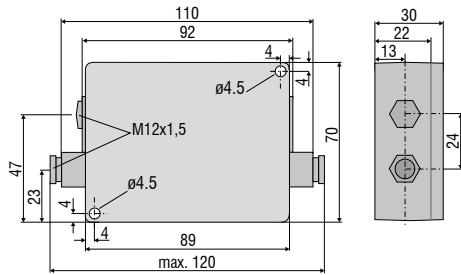
CT-	SF02-	C3
Cable length [1m / 3m (standard) / 8m / 15m]		
Focus [SF02 / SF15 / SF22]		
thermoMETER CT		

Accessories page 40 - 43

- Ancillary CF lens
- Protective window
- Mounting bracket / mounting bolt
- Air purge collar
- Right angle mirror
- Rail mount adapter for controller
- Massive housing
- Protective tube
- Laser sighting aid
- Digital-interface kits
- Accessories kit for use in Ex areas
- Certificate of calibration

CT / CTfast / CTM1/M2/M3

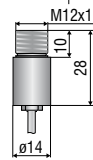
controller



ancillary CF lens (optional)

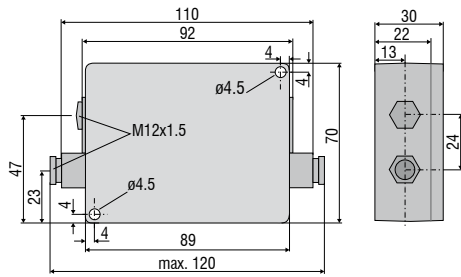


sensor

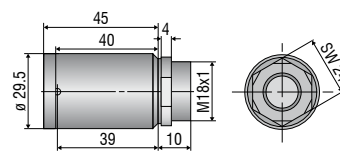


CThot / CTP-3 / CTP-7

controller

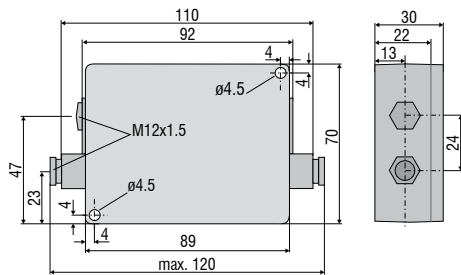


sensor with protective housing

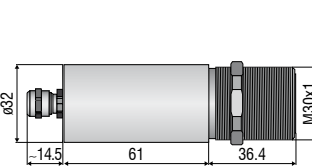


CTM3-XL

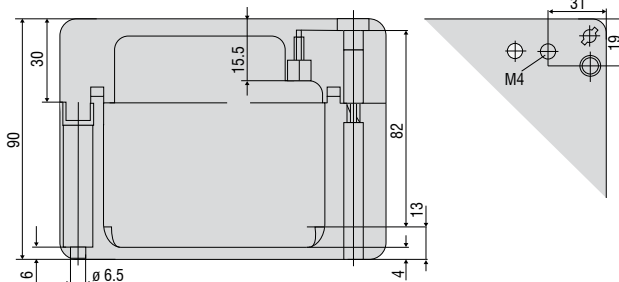
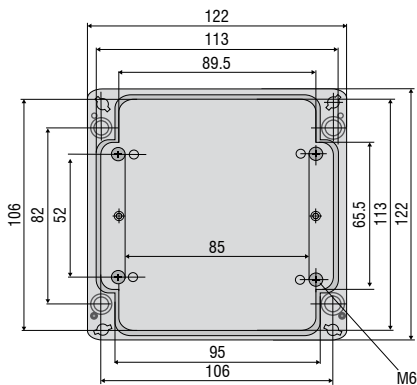
controller



sensor



CTex





Mechanical accessories		
Art. No.	Model	
2970203	TM-FB-CT	Mounting bracket, fixed
2970325	TM-FB2-CT	Mounting bracket, adjustable in one axis, for simultaneous assembly of CT sensor and laser sighting aid
2970336	TM-FBMH-CT	Mounting bracket, adjustable in one axis, for massive housing
2970204	TM-AB-CT	Mounting bracket, adjustable in 2 axes
2970205	TM-MB-CT	Mounting bolts with M12x1 thread
2970206	TM-MG-CT	Mounting fork, adjustable in 2 axes, with M12x1 fastening
2970207	TM-AP-CT	Air purge collar for sensors from 10:1 lens
2970335	TM-APS-CT	Air purge collar for sensors from 10:1 lens made from stainless steel
2970208	TM-AP2-CT	Air purge collar for sensor with 2:1 lens
2970209	TM-APL-CT	Air purge collar, laminar
2970210	TM-APLCF-CT	Air purge collar, laminar with integrated ancillary CF lens
2970357	TM-APLCFH-CT	Air purge collar, laminar with integrated ancillary CF lens for M1/M2/M3/M5 sensors
2970386	TM-APMH-CT	Air purge collar made from stainless steel for massive housing
2970211	TM-RAM-CT	Right angle mirror for measurements 90°C to the sensor axis
2970212	TM-RAIL-CT	Rail mount adapter for CT controller
2970213	TM-COV-CT	Closed cover for controller
2970214	TM-MHS-CT	Massive housing made from stainless steel
2970215	TM-MHSCF-CT	Massive housing made from stainless steel with integrated ancillary CF lens
2970358	TM-MHSCFH-CT	Massive housing made from stainless steel with integrated ancillary CF lens for M1/M2/M3/M5 sensors
2970216	TM-MHA-CT	Massive housing made from anodized aluminum
2970217	TM-MHACF-CT	Massive housing made from stainless steel with integrated ancillary CF lens
2970359	TM-MHACFH-CT	Massive housing made from anodized aluminum with integrated ancillary CF lens for M1/M2/M3/M5 sensors
2970218	TM-MHB-CT	Massive housing made from brass
2970219	TM-MHBCF-CT	Massive housing made from brass with integrated ancillary CF lens
2970360	TM-MHBCFH-CT	Massive housing made from brass with integrated ancillary CF lens for M1/M2/M3/M5 sensors
2970220	TM-PT-CT	Protective tube made from brass
2970326	TM-PA-CT	Pipe adapter for the mounting of reflection protection tubes
2970327	TM-ST20-CT	Reflection protection tube, length 20mm
2970328	TM-ST40-CT	Reflection protection tube, length 40mm
2970329	TM-ST88-CT	Reflection protection tube, length 88mm
2970221	TM-LST-CT	Laser sighting aid for CT sensors incl. batteries (2xAlkaline AA)
2970300	TM-LSTOEM-CT	OEM laser sighting aid, 635nm, 3.5m cable, for connection to CT controller
2970300.008	TM-LSTOEM-CT(008)	OEM laser sighting aid, 635nm, 8m cable, for connection to CT controller
2970222	TM-EX-CT	Accessories kit for using CT in Ex areas (Zone 1: PTB 01 ATEX 2053/ E II (1/2) G [EEx ia/ib] IIC/ IIB), pre-assembled EX box, without Zener barriers, applicable in combination with CT sensors (except for CTfast)

Optical accessories		
Art. No.	Model	
2970201	TM-CF-CT	Ancillary CF lens (only for SF models)
2970202	TM-PW-CT	Protective window (only for SF models)
2970297	TM-CFAG-CT	Ancillary lens with external thread
2970330	TM-CFH-CT	Ancillary lens for M1/M2/M3/M5 sensors
2970331	TM-CFHAG-CT	Ancillary lens with external thread for M1/M2/M3/M5 sensors
2970299	TM-PWAG-CT	Protective window with external thread
2970332	TM-PWH-CT	Protective window for M1/M2/M3/M5 sensors
2970333	TM-PWHAG-CT	Protective window with external thread for M1/M2/M3/M5 sensors

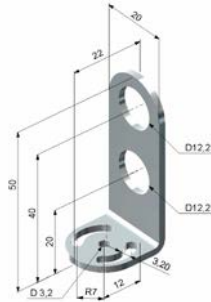
Interfaces		
2970223	TM-USBK-CT	USB interface kit: USB interface, USB cable, CompactConnect software, second cable gland for controller
2970224	TM-RS232K-CT	RS232 interface: RS232 interface, computer cable, CompactConnect software, second cable gland for controller
2970338	TM-RS485USBK-CTL	RS485-USB-adaptor, incl. PC cable, CompactConnect software and CTmulti, second cable gland for use with interface board TM-RS485B-CT
2970226	TM-RS485B-CT	RS485 interface board incl. second cable gland
2970227	TM-CANK-CT	CAN-Bus interface for thermoMETER CT/ protocol: CANopen presets: module address 20 (14H), 250kBaud, 0-60°C
2970228	TM-PFBDPK-CT	Profibus-DPV1 interface for thermoMETER CT with plug-in connection
2970229	TM-ETHNK-CT	Ethernet-Kit: interface board, external Ethernet adapter, CompactConnect software, second cable gland
2970230	TM-RI-CT	Relay interface: two electrically isolated relays, 60VDC/ 42VAC _{eff} 0.4A

Calibration		
2970231	TM-CERT-CT	Certificate of calibration
2970310	TM-HTCERT-CT	Certificate of calibration for CTM sensors

CTM3-XL		
2970352	TM-FBXL-CT	Mounting bracket, adjustable in one axis
2970353	TM-ABXL-CT	Mounting bracket, adjustable in 2 axes
2970354	TM-APXL-CT	Air purge collar, stainless steel
2970361	TM-XLCERT-CT	Certificate of calibration



TM-LST-CT Laser sighting aid, battery-operated (2x Alkaline AA), for alignment of CT sensors (dimensions identical to CT sensor)



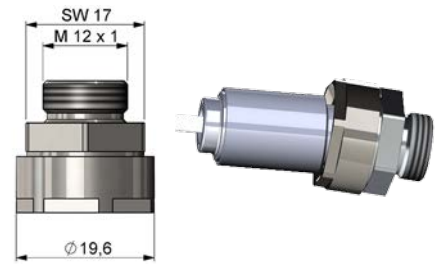
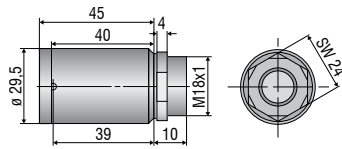
TM-FB2-CT Mounting bracket for sensor and laser sighting aid



TM-RAM-CT Right angle mirror



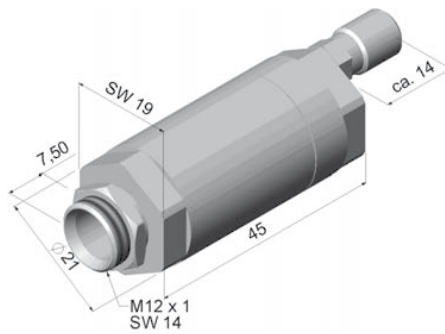
TM-MHS-CT Massive housing, stainless steel
 TM-MHA-CT Massive housing, aluminum
 TM-MHB-CT Massive housing, brass



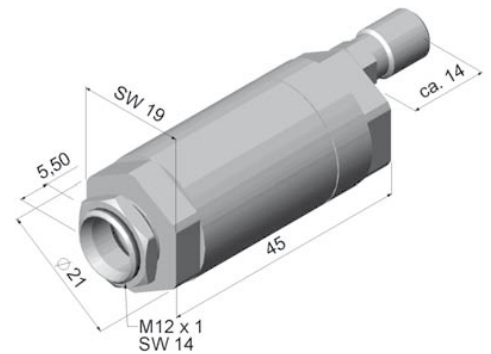
TM-TAS-CT Pivoted joint for CT sensors



Dirt and deposit on the lens like smoke, steam and high air humidity (condensation) are avoided or reduced by using an air purge collar.



TM-AP-CT Standard air purge collar for 10:1 / 15:1 / 22:1 lenses
 TM-APS-CT Air purge collar, stainless steel



TM-AP2-CT Standard air purge collar for 2:1 lens

Further IR temperature measurement devices from Micro-Epsilon



thermoIMAGER TIM
Compact USB thermal imaging cameras
for precise thermography



thermoMETER CTVideo/CSVideo
Infrared temperature sensors with crosshair
laser sighting and video output



thermoMETER Handheld
Innovative handheld pyrometer with laser
sighting for inspection and maintenance